

WARNING

The use of a high current activation relay (i.e. Ford solenoid style relay) in nitrous systems can damage the Step retard circuit due to the high amount of current kickback from the relay (Figure 1).

This can result in permanent damage to the circuit board and will render the step retards useless. MSD Recommends diode suppressing the relays by using the diodes provided in the parts bag. One diode is provided for each step retard activation wire (Figure 2).

Switching from high current activation relays over to solid state relays will also prevent damage to the retard circuits. Refer to the Figure 3 for instructions to properly install the diode onto the relay(s) without affecting the response time of the nitrous/fuel solenoids and a nitrous controller.

Note: Diode is rated at 800V/3A.

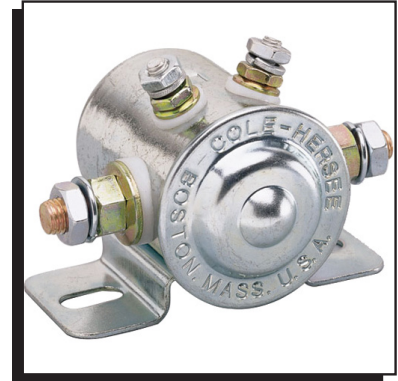


Figure 1



Figure 2

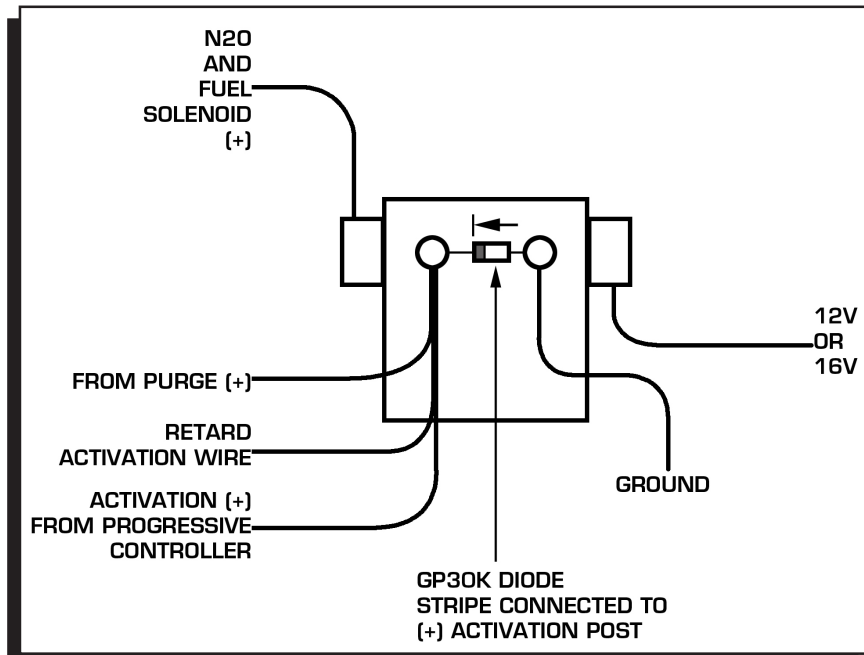


Figure 3